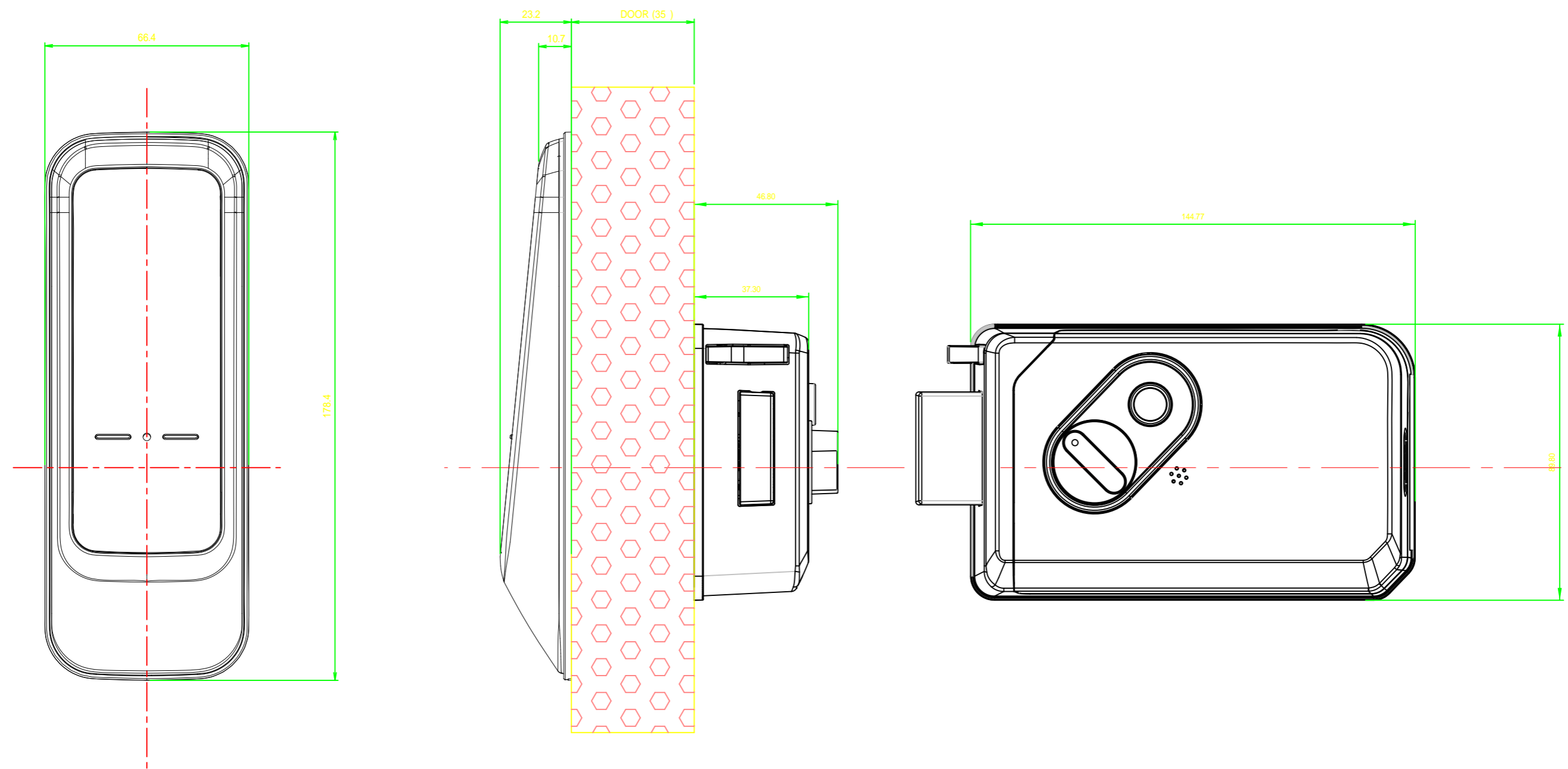


J20-DM EXTERIOR VIEW

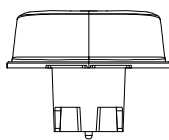
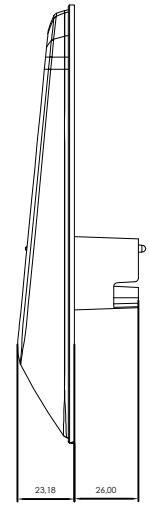
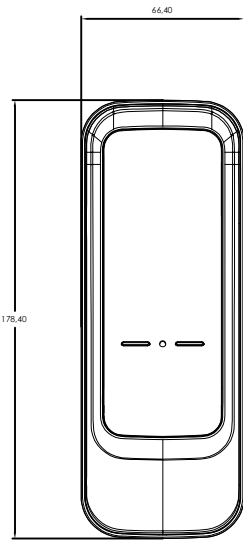
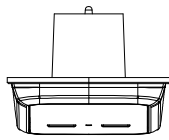
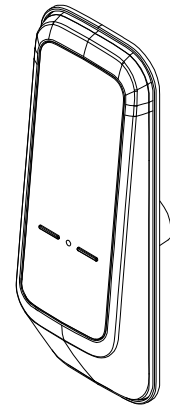
| NO. | COUNT | REVISIONS | DATE | APPROVED |
|-----|-------|-----------|------|----------|
| △ | | | | |



出圖
 2019.01.03
 R&D

| NO. | REV. | DATE | BY | CHKD. | APPV. | QTY | REMARK |
|-----|------|------------|---------|-------|-------|-----|--------|
| 1 | 0 | 2019.01.03 | Y.S.Joo | | | 1 | 1/1 |

TITLE: J20 + DM
 PART NAME: EXTERIOR VIEW
 DRAWN: Y.S.Joo
 FILE NAME: J20 (DM)



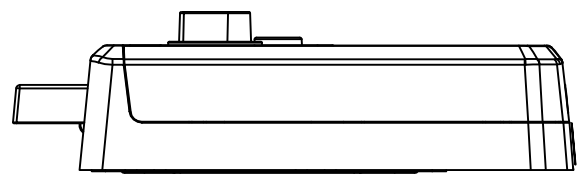
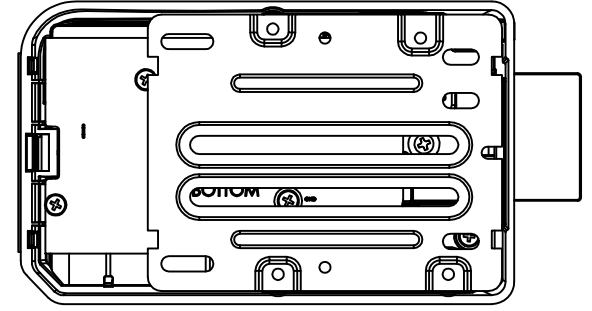
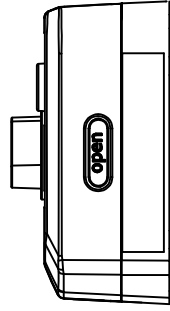
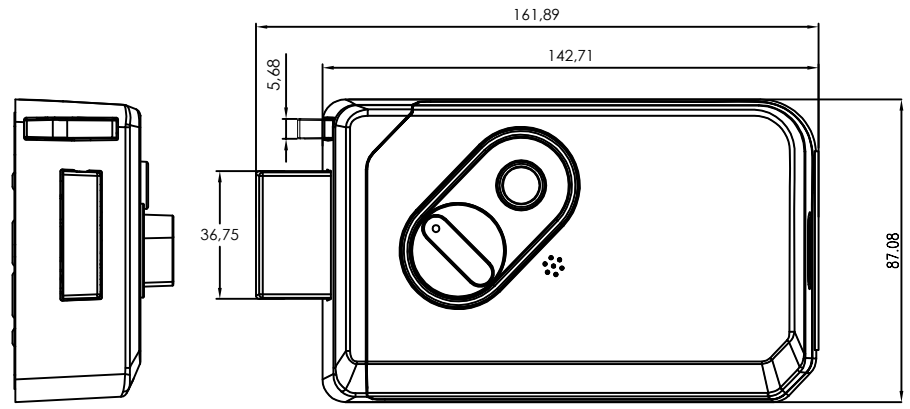
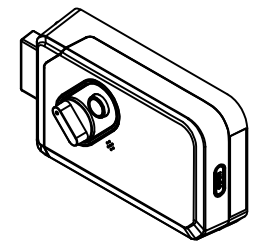
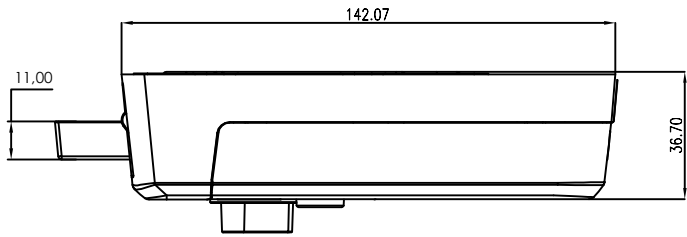
UNLESS OTHERWISE SPECIFIED, DIMENSIONS ARE IN MILLIMETERS AND TOLERANCES ARE AS FOLLOWS:

| | |
|----------|-------|
| 0 - 6 | ±0.1 |
| 6 - 15 | ±0.15 |
| 15 - 60 | ±0.2 |
| 60 - 200 | ±0.3 |
| 200 - ∞ | ±0.5 |

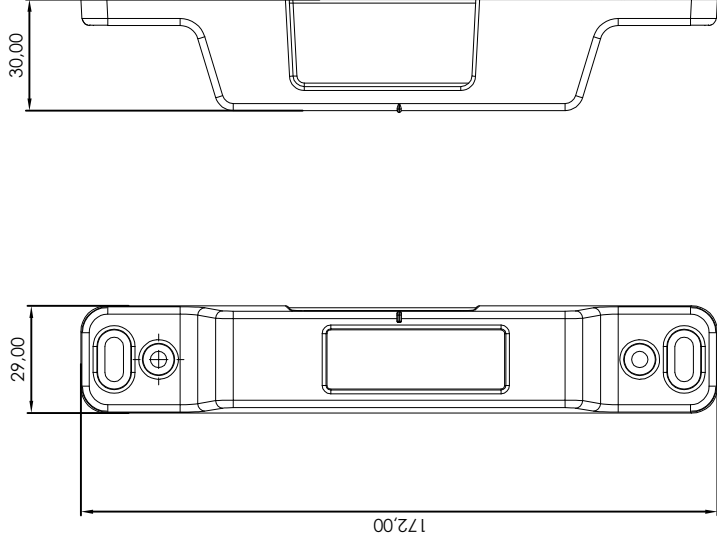
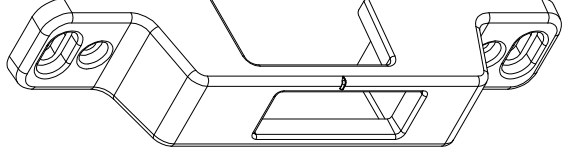
ANGULAR TOLERANCE: ±0.5°

| NO | PART NAME | PART NO | Q'TY | MATERIAL | REMARK |
|--------------------------|-----------|---------|----------|-----------|---------------------|
| MODEL J-20 | | | | FINISH | Q'TY SCALE 1 1:1 |
| PART NAME FRONT ASS'Y | | | | MATERIAL | |
| DRAWN | DESIGNED | CHECKED | APPROVED | PART NO | |
| | | | | FILE NAME | |





| UNLESS OTHERWISE SPECIFIED, DIMENSIONS ARE IN MILLIMETERS AND TOLERANCES ARE AS FOLLOWS | | REV | PART NAME | PART NO | Q'TY | MATERIAL | REMARK | |
|-----------------------------------------------------------------------------------------|-------|-----|--------------------|----------|---------|----------|-----------|--|
| 0 - 6 | ±0.1 | | DM+ | | | FINISH | Q'TY | |
| 6 - 15 | ±0.15 | | | | | — | SCALE | |
| 15 - 60 | ±0.2 | | PART NAME | | | MATERIAL | 1:1 | |
| 60 - 200 | ±0.3 | | MAIN EXPLODED VIEW | | | — | | |
| 200 - ∞ | ±0.5 | | DRAWN | DESIGNED | CHECKED | APPROVED | PART NO | |
| ANGULAR TOLERANCE: ±0.5 | | | | | | | — | |
| | | | | | | | FILE NAME | |



Surface:

Material:

General Tolerance:
AS 1100

Volume:

Surface area:

Created (YYYY-MM-DD) Designed by:

Drawn by:

Projection:

YYYY-MM-DD

YYYY-MM-DD

Scale:
1:1 (A4)

Alternate ID

ASSA ABLOY

Document ID

Rev.:
1