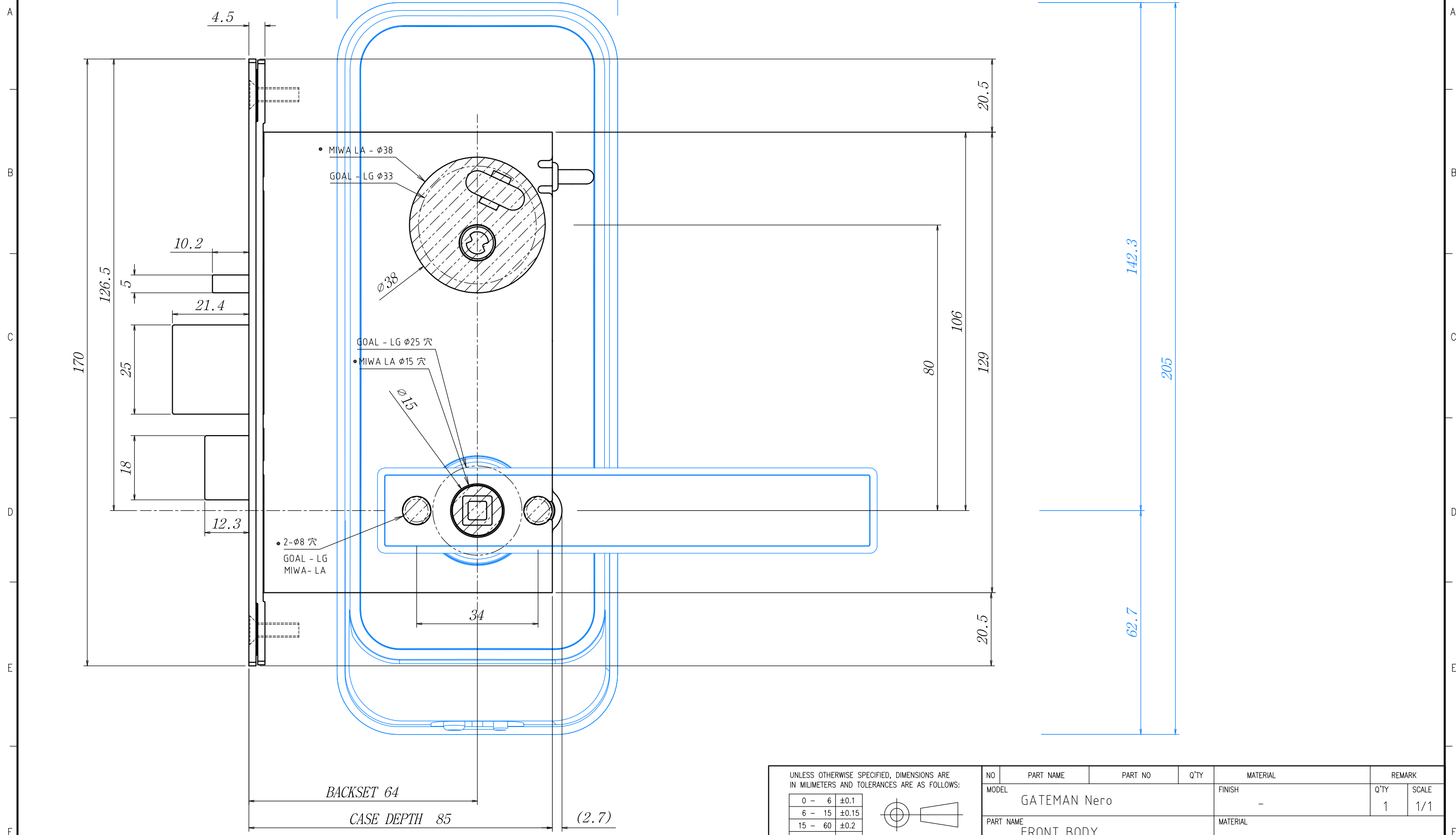


NO.	COUNT	REVISIONS	DATE	APPROVED
△				

< GATEMAN Nero >



UNLESS OTHERWISE SPECIFIED, DIMENSIONS ARE IN MILLIMETERS AND TOLERANCES ARE AS FOLLOWS:

0 - 6	±0.1
6 - 15	±0.15
15 - 60	±0.2
60 - 200	±0.3
200 - ∞	±0.5

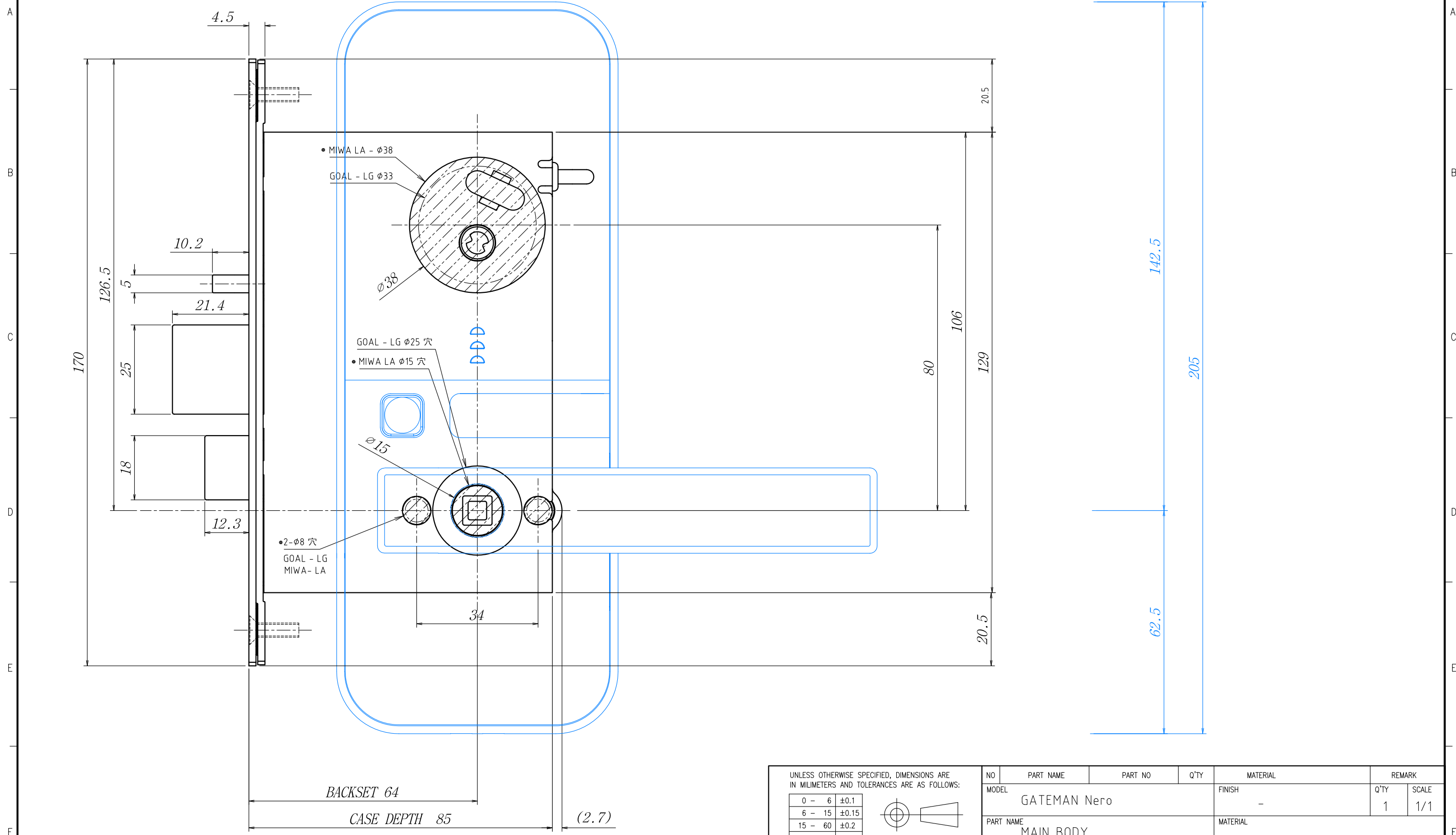
ANGULAR TOLERANCE: ±0.5°



NO	PART NAME	PART NO	Q'TY	MATERIAL	REMARK
MODEL	GATEMAN Nero			FINISH	Q'TY SCALE
				-	1 1/1
PART NAME	FRONT BODY			MATERIAL	
				-	
DRAWN	DESIGNED	CHECKED	APPROVED	PART NO	
Y.S.Joo			S.H.Kim	-	
2016.01.20.			2016.01.20.	FILE NAME	
				-	

NO.	COUNT	REVISIONS	DATE	APPROVED
△				

< GATEMAN Nero >



UNLESS OTHERWISE SPECIFIED, DIMENSIONS ARE IN MILLIMETERS AND TOLERANCES ARE AS FOLLOWS:

0 - 6	±0.1
6 - 15	±0.15
15 - 60	±0.2
60 - 200	±0.3
200 - ∞	±0.5

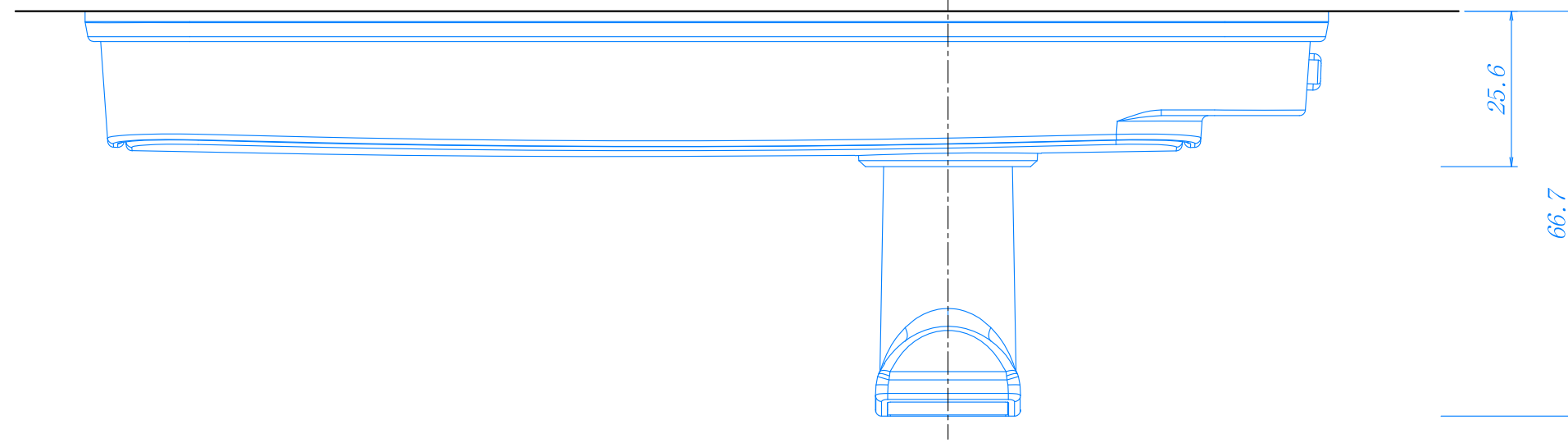
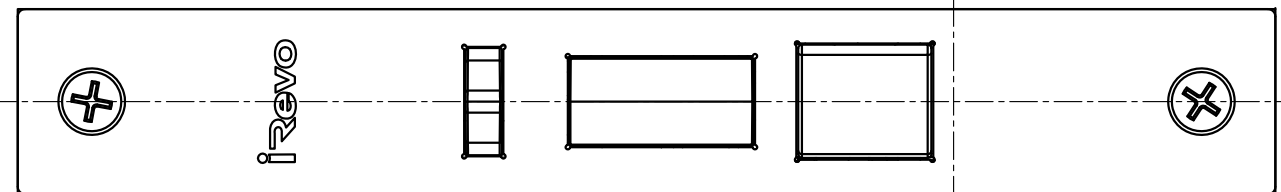
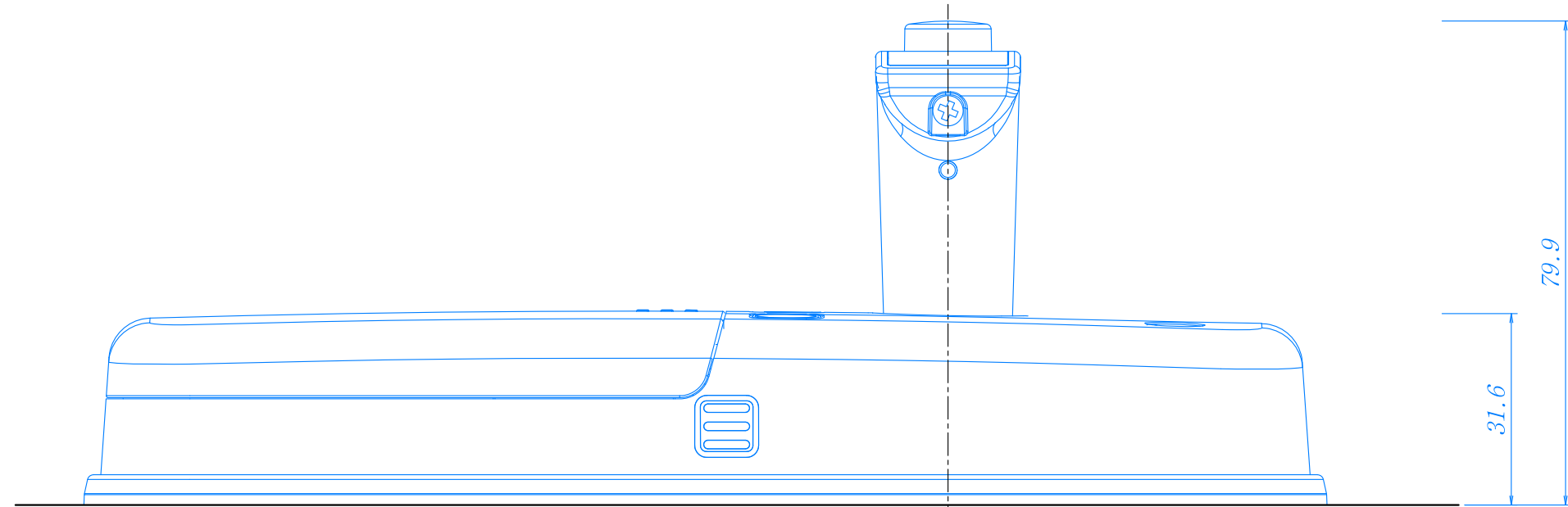
ANGULAR TOLERANCE: ±0.5°

NO	PART NAME	PART NO	Q'TY	MATERIAL	REMARK
MODEL	GATEMAN Nero			FINISH	Q'TY SCALE
				-	1 1/1
PART NAME	MAIN BODY			MATERIAL	
				-	
DRAWN	DESIGNED	CHECKED	APPROVED	PART NO	
Y.S.Joo			S.H.Kim	-	
2016.01.20.			2016.01.20.	FILE NAME	
				-	



< GATEMAN Nero >

NO.	COUNT	REVISIONS	DATE	APPROVED
△				



UNLESS OTHERWISE SPECIFIED, DIMENSIONS ARE IN MILLIMETERS AND TOLERANCES ARE AS FOLLOWS:

0 - 6	±0.1
6 - 15	±0.15
15 - 60	±0.2
60 - 200	±0.3
200 - ∞	±0.5

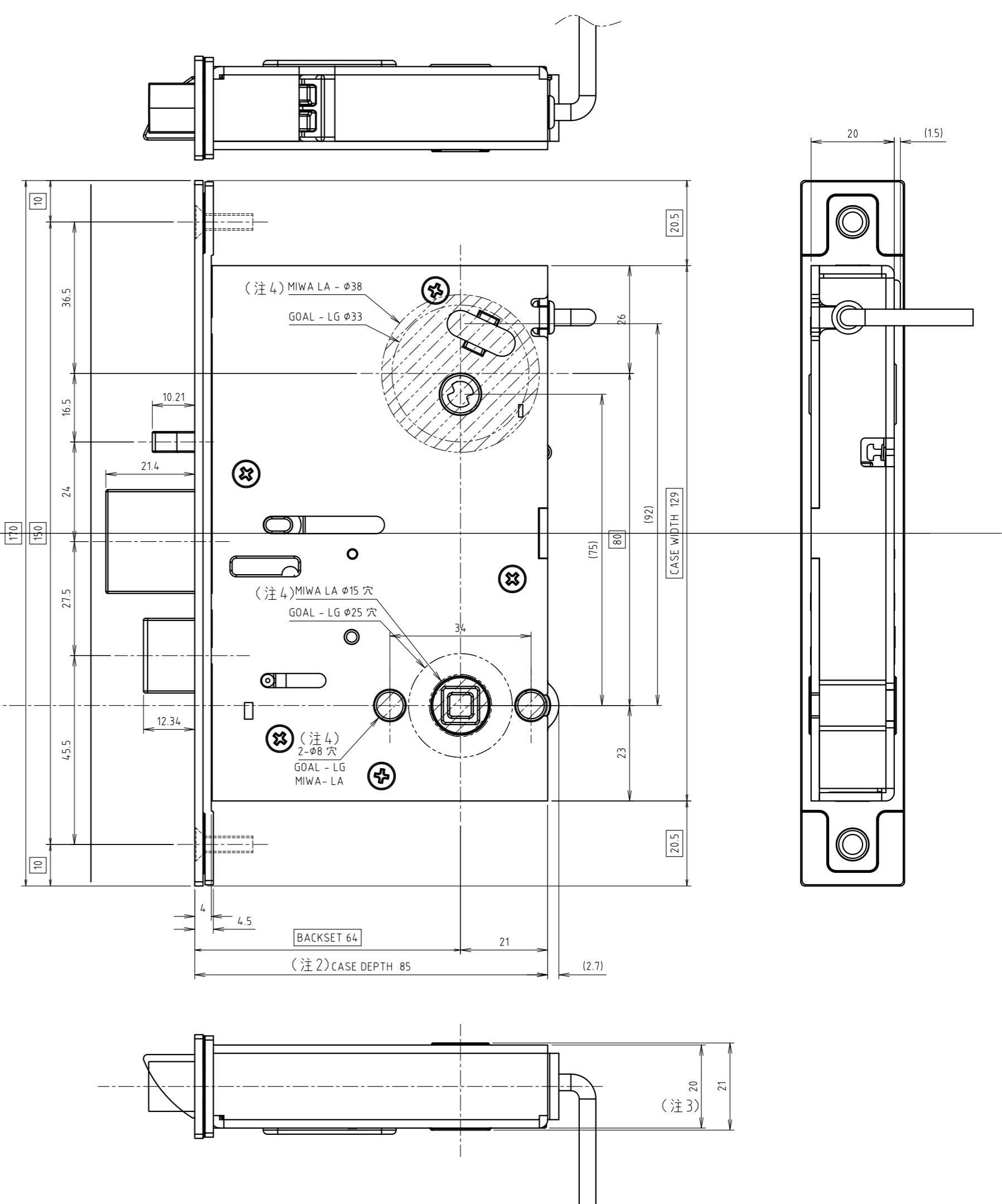
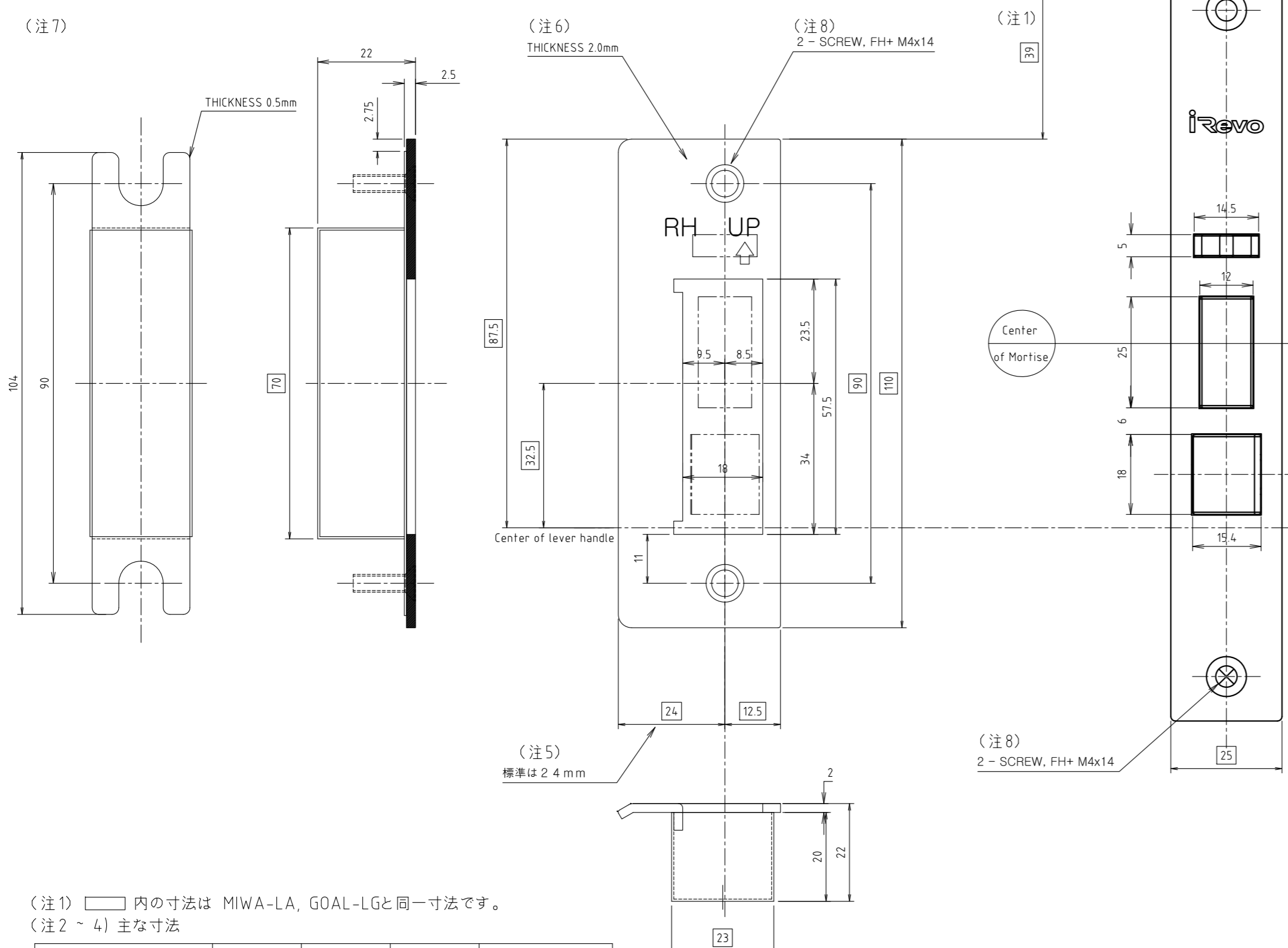
ANGULAR TOLERANCE: ±0.5°



NO	PART NAME	PART NO	Q'TY	MATERIAL	REMARK
MODEL	GATEMAN Nero			FINISH	Q'TY SCALE
PART NAME	FRONT & MAIN BODY			MATERIAL	1 1/1
DRAWN	DESIGNED	CHECKED	APPROVED	PART NO	
Y.S.Joo			S.H.Kim	FILE NAME	
2016.01.20.			2016.01.20.		

NO.	COUNT	REVISIONS	DATE	APPROVED
△				

JP - MORTISE (for GATEMAN Nero)



(注1) □内の寸法は MIWA-LA, GOAL-LGと同一寸法です。
(注2 ~ 4) 主な寸法

	iRevo	MIWA - LA	GOAL - LG	
CASE DEPTH (注2)	85	82	85	BACKSET : 64mm
CASE THICKNESS (注3)	20 (21)	21	20	
HOLE (注4)	HOLE - A	8	8	Same as MIWA-LA
	HOLE - B	15	15	Same as MIWA-LA
	HOLE - C	38	38	Same as MIWA-LA
LATCH BOLT	12.0x25.0 / 21.4	12.0x25.0 / 21.0	12.0x25.0 / 21.0	
DEAD BOLT	15.4x18.0 / 12.3	15.4x20 / 11.5	15.5x20 / 12.0	
EDGE BOLT	14.5x5 / 10.2	-	-	

(注5) STRIKE - 標準は 24mmです。

	iRevo	MIWA - LA	GOAL - LG
扉厚 片開き扉用	->	33 ~ 42	33 ~ 43
(以上~未満) mm 両開き扉用	->	46 ~ 50	45 ~ 49

(注6, 7)

	iRevo	MIWA - LA	GOAL - LG
STRIKE 厚さ	2.0	1.5	1.5
トロヨケ 厚さ	0.5	1.0	1.0

(注8) FIXING SCREW : SCREW, FH+ M4x14

UNLESS OTHERWISE SPECIFIED, DIMENSIONS ARE IN MILLIMETERS AND TOLERANCES ARE AS FOLLOWS:		NO	PART NAME	PART NO	Q'TY	MATERIAL	REMARK
0 - 6	±0.1	JP - MORTISE				FINISH	Q'TY SCALE
6 - 15	±0.15	Exterior View				MATERIAL	1 1/1
15 - 60	±0.2						
60 - 200	±0.3						
200 - ∞	±0.5						
ANGULAR TOLERANCE: ±0.5°		DRAWN		DESIGNED	CHECKED	APPROVED	PART NO
		Y.S.Joo				S.H.Kim	A3M0-M2B1B-JO
		2015.02.27.				2015.02.27.	FILE NAME
							JP-MORTISE_EXTERIOR_VIEW (A3M0-M2B1B-JO).dwg