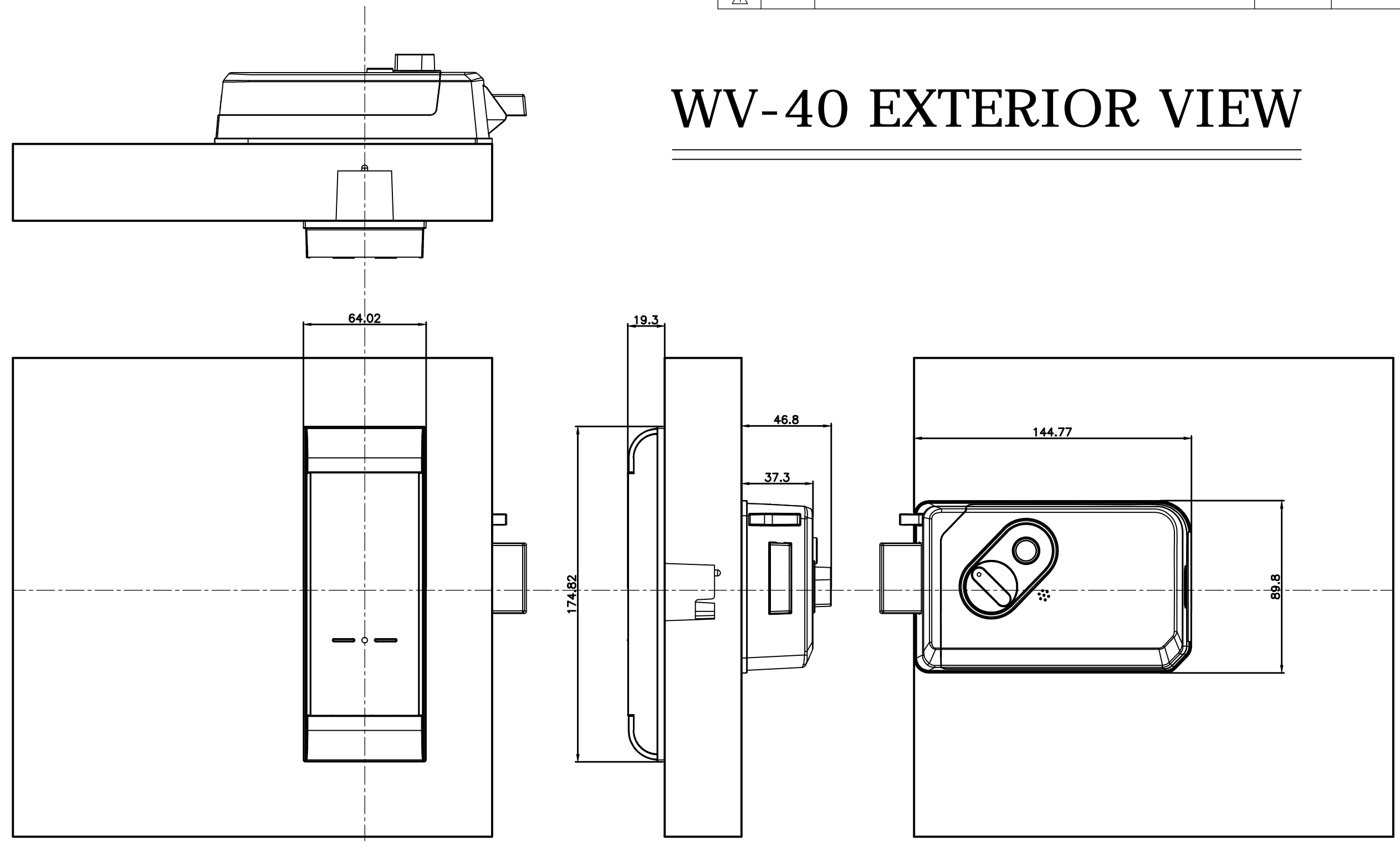
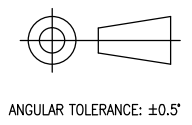


NO.	COUNT	REVISIONS	DATE	APPROVED
△				

WV-40 EXTERIOR VIEW

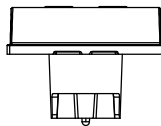
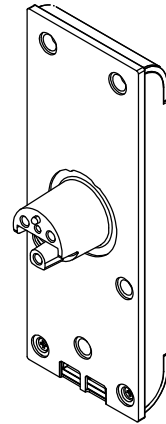
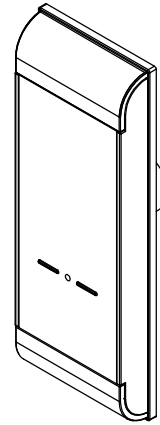
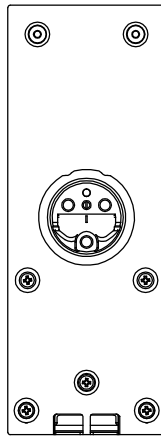
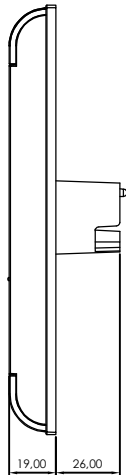
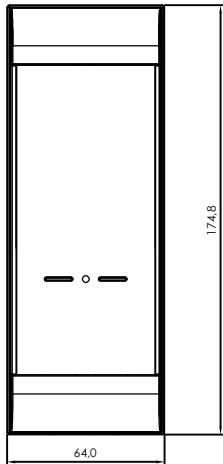
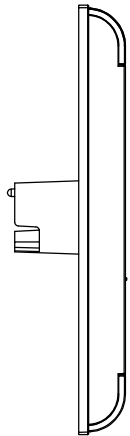
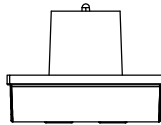


UNLESS OTHERWISE SPECIFIED, DIMENSIONS ARE IN MILLIMETERS AND TOLERANCES ARE AS FOLLOWS:		NO.		PART NAME	PART NO.	Q'TY	MATERIAL	REMARK	
0 - 6	±0.1	MODEL		WV-40			FINISH	Q'TY	SCALE
6 - 15	±0.15	PART NAME		EXTERIOR VIEW			-	-	1:1
15 - 60	±0.2	DRAWN		YJ.KIM	DESIGNED	CHECKED	APPROVED	PART NO.	
60 - 200	±0.3	2017.06.13					SH.YOON	FILE NAME	
200 - ∞	±0.5						2017.06.13		



A
B
C
D
E
F

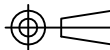
1 2 3 4 5 6 7 8



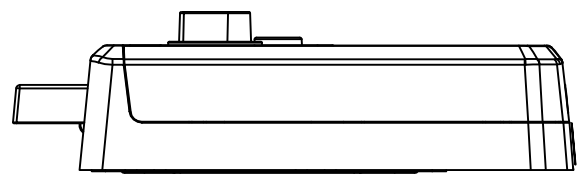
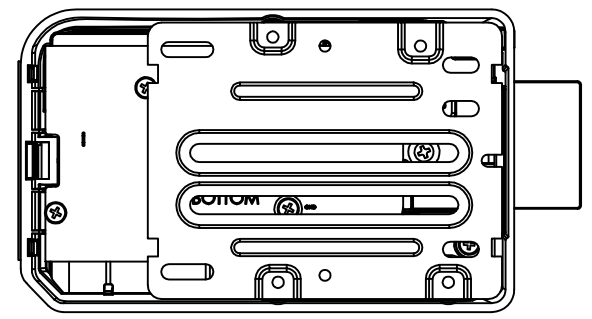
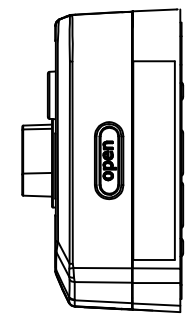
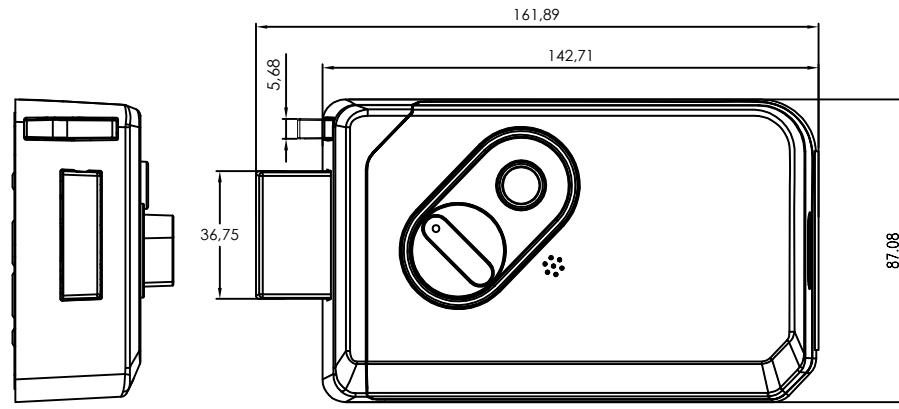
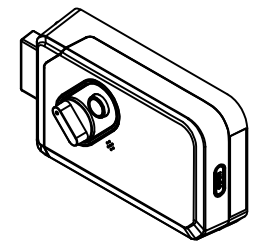
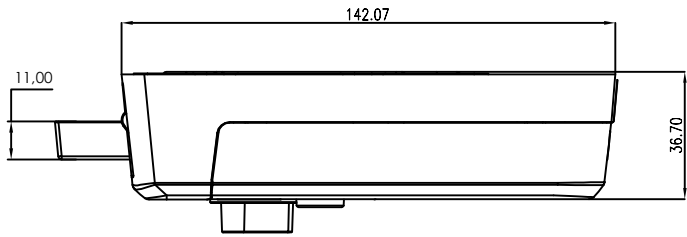
UNLESS OTHERWISE SPECIFIED, DIMENSIONS ARE IN MILLIMETERS AND TOLERANCES ARE AS FOLLOWS:

0 - 6	±0.1
6 - 15	±0.15
15 - 60	±0.2
60 - 200	±0.3
200 - ∞	±0.5

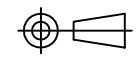
ANGULAR TOLERANCE: ±0.5°



NO	PART NAME	PART NO	Q'TY	MATERIAL	REMARK
MODEL	WV-40			FINISH	Q'TY SCALE
PART NAME				MATERIAL	
FRONT ASS'Y					
DRAWN	DESIGNED	CHECKED	APPROVED	PART NO	
				FILE NAME	

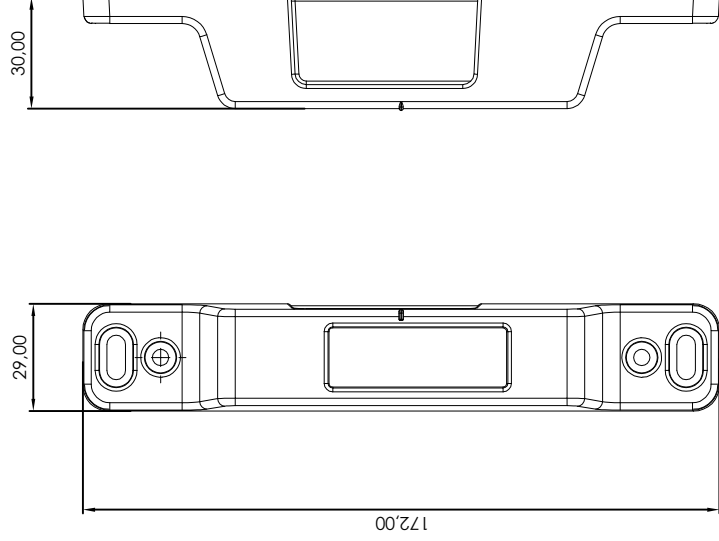
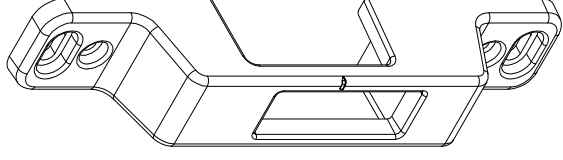


UNLESS OTHERWISE SPECIFIED, DIMENSIONS ARE IN MILLIMETERS AND TOLERANCES ARE AS FOLLOWS		REV	PART NAME	PART NO	Q'TY	MATERIAL	REMARK	
0 - 6	±0.1		DM+			FINISH	Q'TY	
6 - 15	±0.15					—	SCALE	
15 - 60	±0.2		PART NAME			MATERIAL	1:1	
60 - 200	±0.3		MAIN EXPLODED VIEW			—		
200 - ∞	±0.5		DRAWN	DESIGNED	CHECKED	APPROVED	PART NO	
							—	
							FILE NAME	



ANGULAR TOLERANCE: ±0.5





Surface:

Material:

General Tolerance:
AS 1100

Volume:

Created (YYYY-MM-DD)
YYYY-MM-DD

Designed by:

Drawn by:

Projection:

Scale:
1:1 (A4)

Alternate ID

ASSA ABLOY

Document ID

Rev.:
1